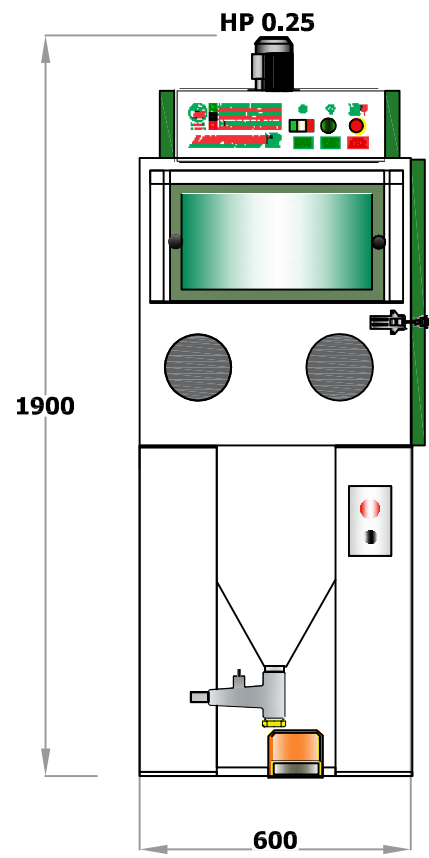


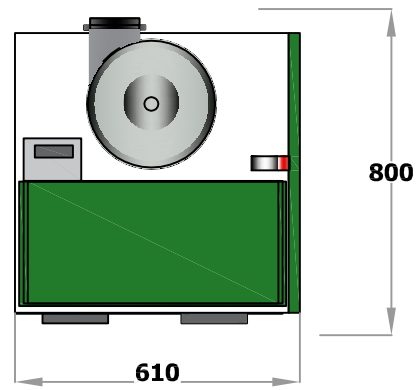
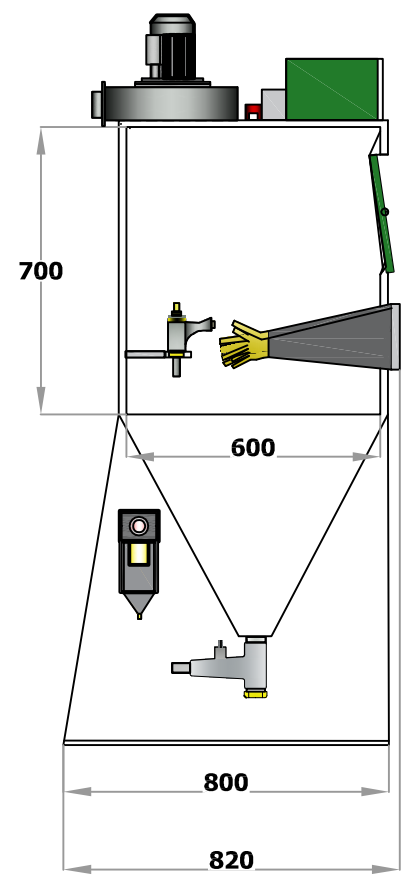
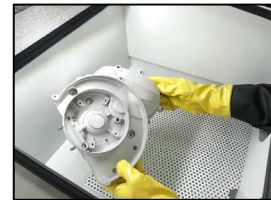
A  
B  
C  
D  
E  
F

A  
B  
C  
D  
E  
F



**MADE  
IN  
ITALY**

**3 ANNI DI GARANZIA**



Itemref	Quantity	Title/Name, designation, material, dimension etc			Article No./Reference	
Designed by luca	Checked by XXX	Approved by - date XXX - 00/00/00	File name XXX	Date 18/05/2018	Scale 1:1	
<b>LC-E</b>			<b>Misure espresse in mm.</b>			
			<b>lampugnani sabbiatrici srl</b>	Edition 1	Sheet 1/1	

1 2 3 4 5 6 7 8

1 2 3 4 5 6 7 8